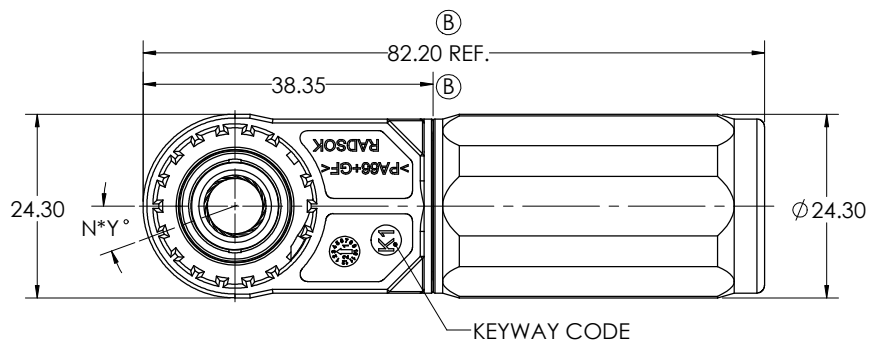
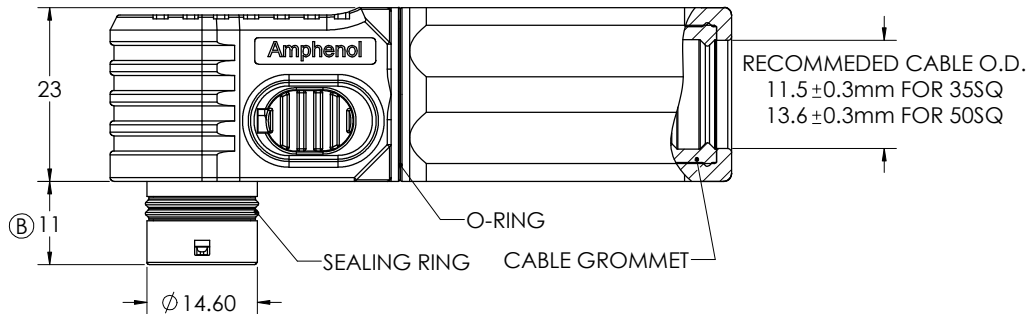
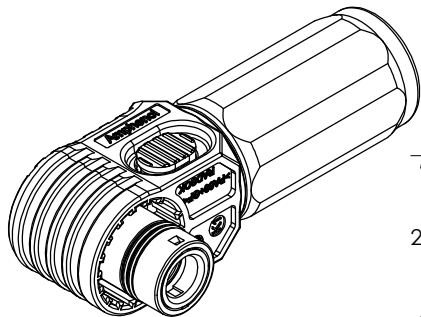


CUSTOMER DRAWING



MFG NUMBER: C10-765467-() () () ()

COLOR
WIRE SIZE
SEALING
KEYWAY

CODE NUMBER: SLPHPB () B () () ()

WIRE SIZE
SEALING
COLOR
KEYWAY

SPECIFICATIONS

CURRENT RATING	200A MAX. FOR 50MM ² 150A MAX. FOR 35MM ²
OPERATING VOLTAGE	1500V DC MAX.
OPERATING TEMPERATURE	-40°C~125°C
CONTACT RESISTANCE	0.5mΩ MAX.
PROTECTION CLASS	IP67(MATED)
DURABILITY	100 CYCLES MIN.

ITEM	OPTION	CODE NUMBER	MFG NUMBER
COLOR	ORANGE	O	0
	BLACK	B	1
	RED	R	2
WIRE SIZE	50 SQMM	50	0
	35 SQMM	35	3
SEALING	IP67(MATED)	S	0
	NO SEALING	N	1
KEYWAY (Y°)	20°	1	1
	30°	2	2

KEYWAY(Y°)	KEYWAY CODE	N
20°	K1	18
30°	K2	12

4. THE BENDING RADIUS OF CABLE SHOULD BE GREATER THAN 5 TIMES OF APPLIED CABLE OD. THE CABLE SHOULD KEEP STRAIGHT GREATER THAN 20MM FROM THE REAR END OF PLUG.

3. THERE WILL BE SUPPLIED A PRE-ASSEMBLED CRIMP REDUCER FOR 35MM² WIRE SIZE.

2. IF CHOOSE NO SEALING TYPE, THERE WILL BE NO SEALING RING AND O-RING AND GROMMET.

1. THE REFERENCED PRODUCT SHALL BE COMPLIANT TO RoHS DIRECTIVE.

NOTES

THIS DOCUMENT CONTAINS PROPRIETARY INFORMATION AND SUCH INFORMATION MAY NOT BE DISCLOSED TO OTHERS FOR ANY PURPOSE OR USED FOR MANUFACTURING PURPOSES WITHOUT WRITTEN PERMISSION FROM THE AMPHENOL CORP.

Next Assembly

UNLESS OTHERWISE SPECIFIED		APPROVALS		DATE
LINEAR DIMENSIONS ARE IN MILLIMETERS		PREPARED BY:	SEVEN XIE	2020/09/28
TOLERANCES:		LEAD/PRODUCT ENGINEER:	SEVEN XIE	
DIM. RANGE 0.5-3 >3-6 >6-30 >30-120 >120-400		ENGINEERING MANAGER:	ROB WENG	
TOLERANCE ±0.1 ±0.1 ±0.2 ±0.3 ±0.5		PRODUCT GROUP:	C&I	
ANGLES = ±2°		AIPG DIVISION:	AIO	
DIM. & TOL. PER ASME Y14.5M-1994;		MATERIAL SPEC		PROCESS SPEC
DRM PER MIL-DTL-31000;		N/A		N/A
OTHER AMPHENOL STANDARDS: 9-9318				
THIRD ANGLE PROJECTION				

AMPHENOL CORPORATION

Amphenol Technology (Zhuhai) Co. Ltd.
No. 63 Xingnian Road, Sanzao Town, Jinwan, Zhuhai, PRC

8.0MM SURLOK-PLUS PLUG
1500V/DC
RIGHT-ANGLE TYPE

SIZE	CAGE CODE	DOCUMENT NUMBER	REV
C	77820	10-765467-()	B

SCALE: 2:1 REF: 10-730188-() SHEET 1 OF 1