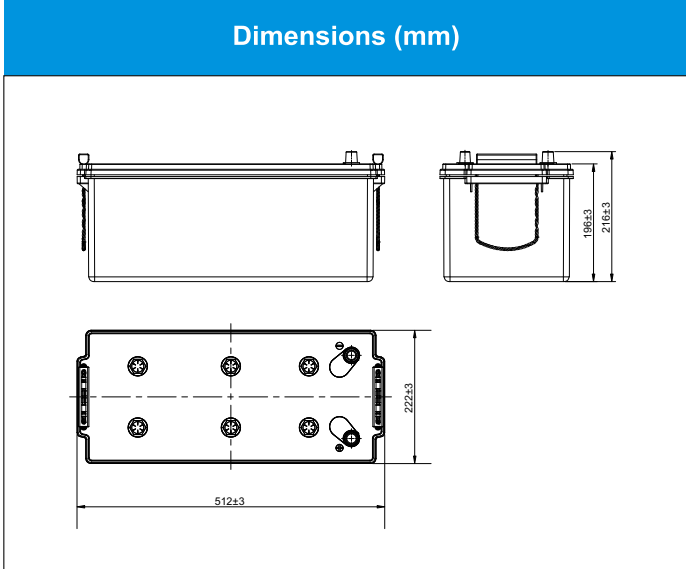


POWER PLUS[®]

LPM12-180HD [12V180Ah] 

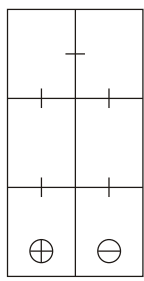
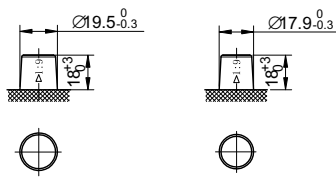


Physical Specification (mm)

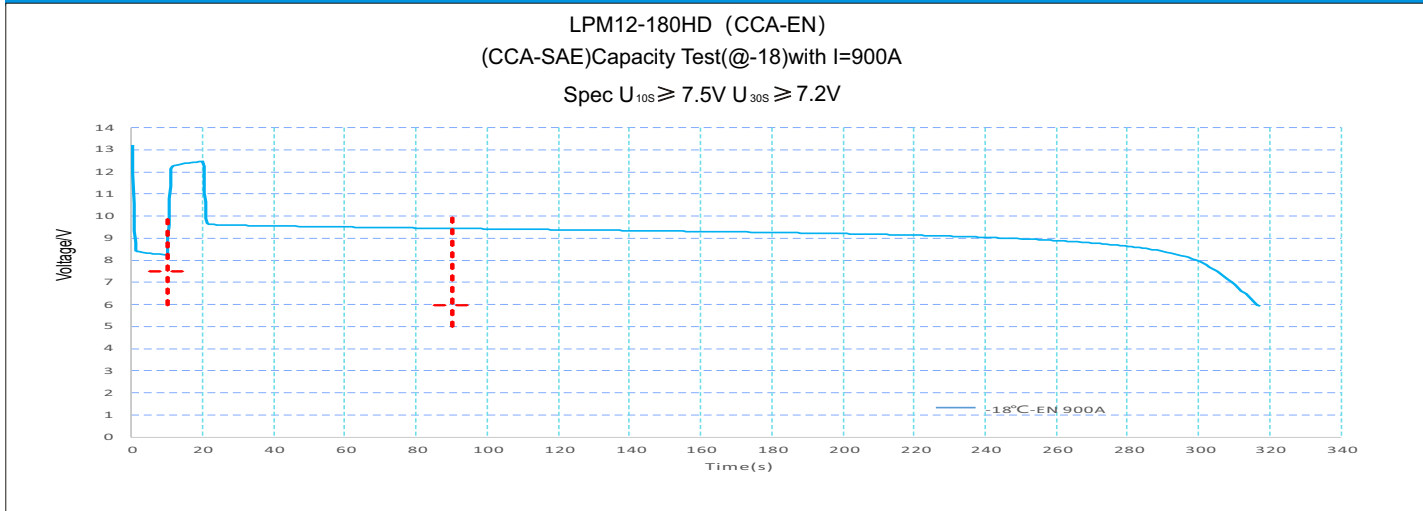
Nominal Voltage		12V
Nominal Capacity(20HR)		180Ah
Dimension	Length	512±3mm(20.16inches)
	Width	222±3mm(8.74inches)
	Container Height	196±3mm(7.72inches)
	Total Height(with Terminal)	216±3mm(8.50inches)
Weight		Approx 50.5Kg(111.4lbs)
Standard Terminal		5
Cell layout		3
Hold-Down		B0
Cell plate qty		/
Case		Black-PP Material
Cover		Black-PP Material
Handle		Black-PP Material

Electrical Specification

Rated Capacity	20 hour rate(9.0A)	180Ah
Reserve Capacity		380min
Cold Cranking Performance Amps@0°F(-18°C)		900A

Standard Terminal (mm)		Cell Layout
Terminal Type	5	 Figure(3)
		
POS	NEG	

Discharge Characteristics(-18°C,0°F)



*Values are subject to variation of +/- 5% in normal manufacturing processes.
 *Technical specifications and the product line above could be changed without prior notice.