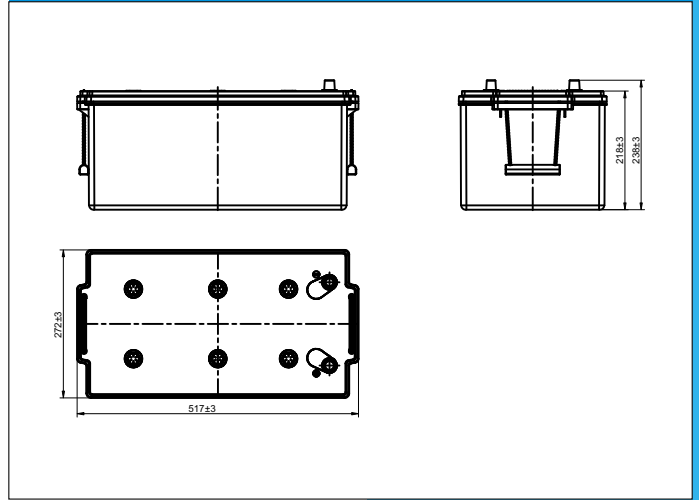


POWER PLUS®

LPM12-240HD [12V240Ah]



Dimensions (mm)



Physical Specification (mm)

Nominal Voltage		12V
Nominal Capacity(20HR)		240Ah
Dimension	Length	517±3mm(20.35inches)
	Width	272±3mm(10.71inches)
	Container Height	218±3mm(8.58inches)
	Total Height(with Terminal)	238±3mm(9.37inches)
Weight		Approx 71.0Kg(156.6lbs)
Standard Terminal		5
Cell layout		3
Hold-Down		B0
Cell plate qty		/
Case		Black-PP Material
Cover		Black-PP Material
Handle		Black-PP Material

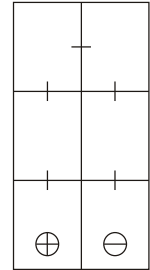
Electrical Specification

Rated Capacity	20 hour rate(12.0A)	240Ah
Reserve Capacity		525min
Cold Cranking Performance Amps@0°F(-18°C)		1000A

Standard Terminal (mm)

Terminal Type	5

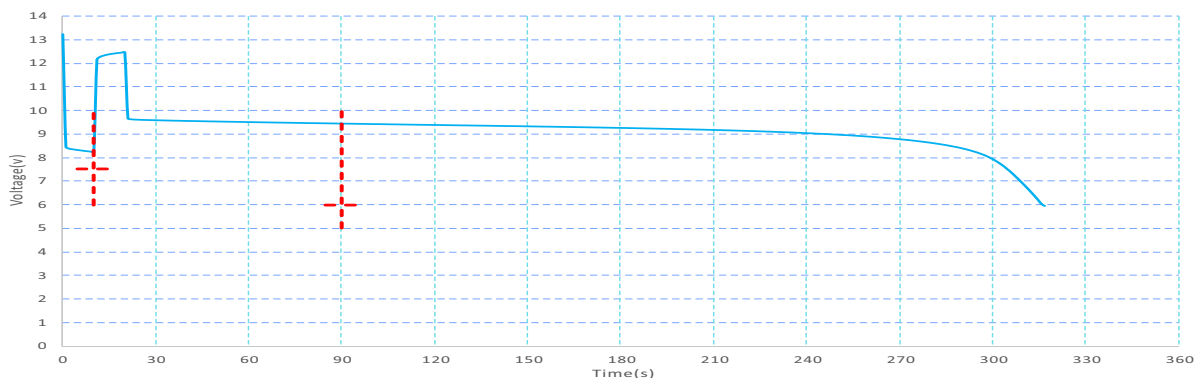
Cell Layout



Figure(3)

Discharge Characteristics(-18°C,0°F)

LPM12-240HD
(CCA-EN)Capacity Test(@-18)with I=1000A
Spec $U_{10S} \geq 7.5V$ $t_{6V} \geq 90s$



*Values are subject to variation of +/- 5% in normal manufacturing processes.
*Technical specifications and the product line above could be changed without prior notice.