

# Marathon M FT / M12V155FT

## INDUSTRIAL BATTERIES / NETWORK POWER

Designed for durability in telecommunications and electric utility applications, the Marathon M-FT series provides high performance and reliability in medium and long duration discharge applications. The location of the terminals on the front (vs. the top) of the battery greatly facilitates the installation and maintenance of the product when placed in a cabinet enclosure or on a standard relay rack tray.



**Part Number: NAMF120155HM0FA**

### APPLICATIONS



### SPECIFICATIONS

- Maintenance-free (no topping up) during the whole service life
- High-Compression Absorbent Glass Mat (AGM) technology
- Design life: »> 12 years– Very Long Life« according to EUROBAT 2015 Classification
- Available as standard or flame retardant version (UL 94-V0)
- Grid plates with superior lead calcium alloy for excellent corrosion resistance
- Very low gassing due to internal gas recombination (99 % efficiency)
- Low self discharge rate, enabling extended storage capability
- Designed in accordance with IEC 60896-21/-22
- Approval: UL (Underwriter Laboratories)
- Trouble-free transportation of operational blocks and cells. no restriction for most rail, road, sea and air transportation (IATA, DGR clause A67)
- Manufactured in Europe in our ISO 9001 certified production plants
- Central degassing



Design life  
> 12 years -  
Very Long Life



Block battery



Grid plate



Recyclable



Valve  
regulated  
lead-acid  
batteries



Maintenance  
free (no  
topping up)

### RECYCLE WITH EXIDE.



Exide Technologies takes pride in its commitment to a better environment. An integrated approach to manufacturing, distributing and recycling of leadacid batteries has been developed to ensure a safe and responsible life cycle for all ofits products.



For more information please  
[contact your local dealer](#)

## TECHNICAL CHARACTERISTICS AND DATA

<b>Nominal voltage</b>	12 V
<b>Float charge</b>	2,29 V/C @ 20 °C
<b>Capacity</b>	CP 10min 1,6V/C 20°C 3500W/Bloc CC 10h 1,8V/C 20°C 155Ah
<b>Short circuit current</b>	3292 A (IEC60896-21/22)
<b>Internal resistance</b>	3,8 mΩ (IEC60896-21/22)

<b>Terminal</b>	F-M6-90°
<b>Terminal Torque</b>	11 Nm
<b>Container</b>	UL 94-HB (Polypropylene)
<b>Temperature range</b>	-40°C to 55°C
<b>Dimensions (l x b/w x h)</b>	124 x 559 x 283 mm
<b>Weight</b>	52,8 kg
<b>Origin</b>	Castanheira, Portugal

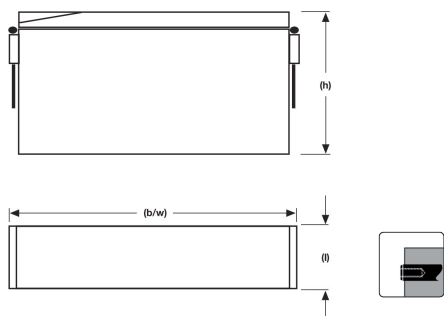
## CONSTANT POWER DISCHARGE

W @ 20 °C	3m	5m	10m	15m	30m	1h	90m	2h	150m	3h	4h	5h	6h	7h	8h	9h	10h	12h	24h
1,940 V/C	1337	1337	1337	1337	1310	863	649	530	445	385	306	257	216	192	174	155	142	121	64,6
1,920 V/C	1626	1626	1626	1626	1407	917	684	557	467	403	321	269	224	200	184	164	150	127	67,9
1,900 V/C	1916	1916	1916	1916	1518	976	719	579	485	419	335	282	236	210	194	173	159	134	71,2
1,870 V/C	2200	2200	2200	2200	1635	1042	759	606	508	448	356	300	250	220	202	180	165	140	74,1
1,850 V/C	3500	3200	2700	2350	1717	1083	786	627	525	462	370	309	259	225	207	185	170	143	75,9
1,830 V/C	3850	3400	2850	2450	1770	1112	806	641	537	475	377	315	265	229	211	188	173	146	77,3
1,800 V/C	4100	3650	3000	2530	1820	1148	830	659	551	485	385	320	270	234	216	192	177	149	78,8
1,780 V/C	4350	3900	3120	2600	1860	1166	842	668	559	493	390	325	275	236	218	193	178	151	79,6
1,750 V/C	4550	4070	3250	2659	1890	1172	848	674	562	500	395	330	280	239	220	194	180	152	80,3
1,730 V/C	4850	4300	3330	2720	1910	1178	853	679	567	508	400	332	282	240	221	194	180	152	80,7
1,700 V/C	5200	4600	3380	2770	1935	1183	858	683	570	515	402	334	284	241	222	195	180	153	80,9
1,670 V/C	5300	4680	3420	2830	1950	1189	862	686	573	516	404	335	285	242	222	196	181	153	81
1,650 V/C	5500	4800	3470	2850	1960	1196	866	688	575	517	406	337	286	243	223	197	182	153	81,3
1,600 V/C	5750	5000	3500	2870	1970	1196	866	688	575	518	409	339	287	244	223	198	182	153	81,3

## CONSTANT CURRENT DISCHARGE

A @ 20 °C	3m	5m	10m	15m	30m	1h	90m	2h	150m	3h	4h	5h	6h	7h	8h	9h	10h	12h	24h
1,940 V/C	122	122	122	122	95,1	74	56,3	46,3	38,7	33,5	26,3	21,8	18,3	16	14,4	12,9	11,7	10	5,3
1,920 V/C	149	149	149	149	108	78,8	59,7	49,1	40,8	35,1	27,6	23	19,5	17,2	15,3	13,6	12,5	10,5	5,6
1,900 V/C	170	170	170	170	122	83,9	63,4	52	43,2	37	29,1	24,1	20,6	18,1	16,3	14,6	13,3	11,2	5,9
1,870 V/C	196	196	196	196	136	89,5	67,3	54,9	45,5	39	30,6	25,3	21,8	19	17,1	15,3	14	11,7	6,2
1,850 V/C	324	290	245	210	147	92,9	69,7	56,9	47,1	40,3	31,6	26,1	22,5	19,6	17,6	15,8	14,4	12,1	6,4
1,830 V/C	355	315	257	220	154	95,9	71,5	58,1	48,1	41,2	32,3	26,7	23	20	17,9	16,1	14,7	12,3	6,5
1,800 V/C	385	340	270	230	161	99,8	73,9	59,6	49,4	42,2	33,5	28	24,3	21,2	18,9	17	15,5	12,6	6,6
1,780 V/C	410	360	285	240	165	102	75	60,4	50	43	34	28,5	24,7	21,6	19,1	17,2	15,6	12,7	6,7
1,750 V/C	433	380	300	250	169	103	75,7	60,8	50,4	43,5	34,5	29	25,1	21,8	19,2	17,3	15,7	12,9	6,8
1,730 V/C	465	405	310	258	173	104	76,3	61,2	50,8	44	34,7	29,1	25,2	21,9	19,3	17,4	15,8	12,9	6,8
1,700 V/C	505	430	320	265	176	105	77	61,7	51,2	44,5	34,8	29,2	25,3	22	19,4	17,5	15,9	13	6,8
1,670 V/C	530	450	330	270	179	106	77,6	62,2	51,5	44,8	35	29,3	25,4	22,1	19,5	17,6	16	13,1	6,9
1,650 V/C	555	470	340	274	180	107	78,1	62,5	51,8	45	35,2	29,4	25,5	22,2	19,7	17,7	16,1	13,1	6,9
1,600 V/C	600	495	350	277	181	107	78,1	62,5	51,8	45,3	35,5	29,6	25,6	22,3	19,8	17,8	16,2	13,1	6,9

## Technical drawing



## Float Voltage vs Temperature

